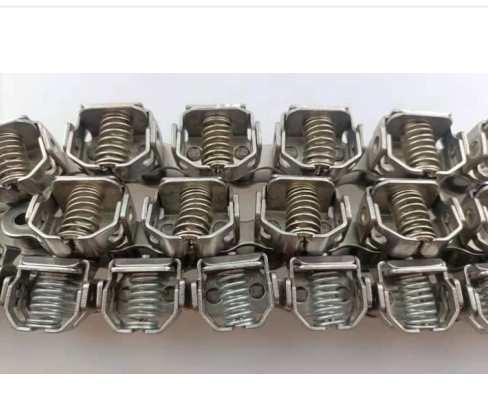




贵州志洪远传动机械有限公司
GUIZHOU GZG TRANSMISSION CO., LIMITED

CHAIN Product Catalogue



GZG TRANSMISSION
0086-854-8190520
www.gzg-transmission.com

GZG TRANSMISSION CO., LIMITED



Guizhou GZG Transmisison Co., Limited locates in Duyun city, Guizhou province, which has been engaged in manufacturing mechanical transmission parts for years. Its products are widely used in diverse industries and highly demanded across the world.

Main products of GZG are standard chains and some non-standard but simple chains, clients may choose carbon steel or stainless steel according to their demands.

To clients from Europe, America, Africa, Asia etc, GZG is a reliable and trustworthy vendor. Customers trust GZG brand products and they are willing to run their equipments with its transmission parts due to the superior strength, durability, performance and long function life.

All GZG staff aim to provide customers high quality products with competitive price. And we'll try our best to offer clients an utmost satisfied service.

www.gzg-transmission.com

PROCDUCT PICTURES



DRIVING CHAINS



CONVEYOR CHAINS



ENGINEERING CHAINS



LEAF CHAINS

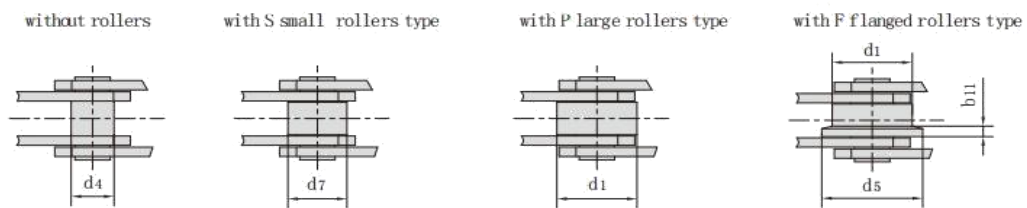
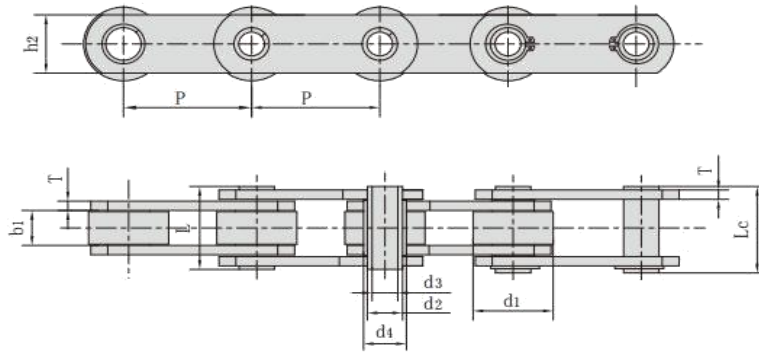


STAINLESS STEEL CHAINS

A. DRIVING CHAINS	1-34
Short pitch precision roller chains(A series)	2-5
Short pitch precision roller chains(B series)	6-8
Heavy duty series roller chains(A series)	9-11
Heavy duty series roller chains(B series)	12
Heavy duty series roller chains(Non-standard)	13
Cottered type short pitch precision roller chains(A series)	14
Heavy duty series cottered type rller chains(A seies)	15
SP series high strength short pitch chains	16
Heavy duty cranked-link transmission chains	17-20
Inverted tooth chains	21-24
Motorcycle chains	25-28
O-Ring motorcycle chains	29
Chain coupling	30
Coupling chains	31-33
Double pitch transmission chains	34
B. CONVEYOR CHAINS	35-55
Roller chains with straight side plates(A series)	36
Roller chains with straight side plates(B series)	37
Short pitch conveyor chain attachments	38-41
Double pitch conveyor chains	42-44
Short pitch conveyor chains with extended pins	45
Lumber conveyor chains & attachments	46-47
Hollow pin conveyor chains	48-54
C. ENGINEERING CHAINS	55-62
Conveyor chains for elevator	56-59
Palm oil chains	60-62
D. LEAF CHAINS	63-68
Leaf chains(AL series)	64
Leaf chains(BL series)	65-66
Leaf chains(LL series)	67-68
E. STAINLESS STEEL CHAINS	69-101
Stainless steel short pitch roller chains	70-72
Stainless steel short pitch roller chain with straight side plate	73-74
Stainless steel short pitch roller chain attachments	75-78
Stainless steel double pitch roller chains	79-80
Stainless steel double pitch conveyor chain attachments	81-82
Stainless steel hollow pin chains	83-86
Stainless steel short pitch conveyor chains with extended pins	87-88
Stainless steel conveyor chains(M series)	89
Stainless steel conveyor chains(MC series)	90
Conveyor chains for cold drink production	91-93
Stainless steel side bow roller chains	94
Stainless steel Anti-sidebow chains for pushing window	95-96
Conveyor chains for sausage production	97-98
Stainless steel sharp top chains	99
Grip chains	100-101
Stainless steel double plus chain	102

STAINLESS STEEL CHAINS

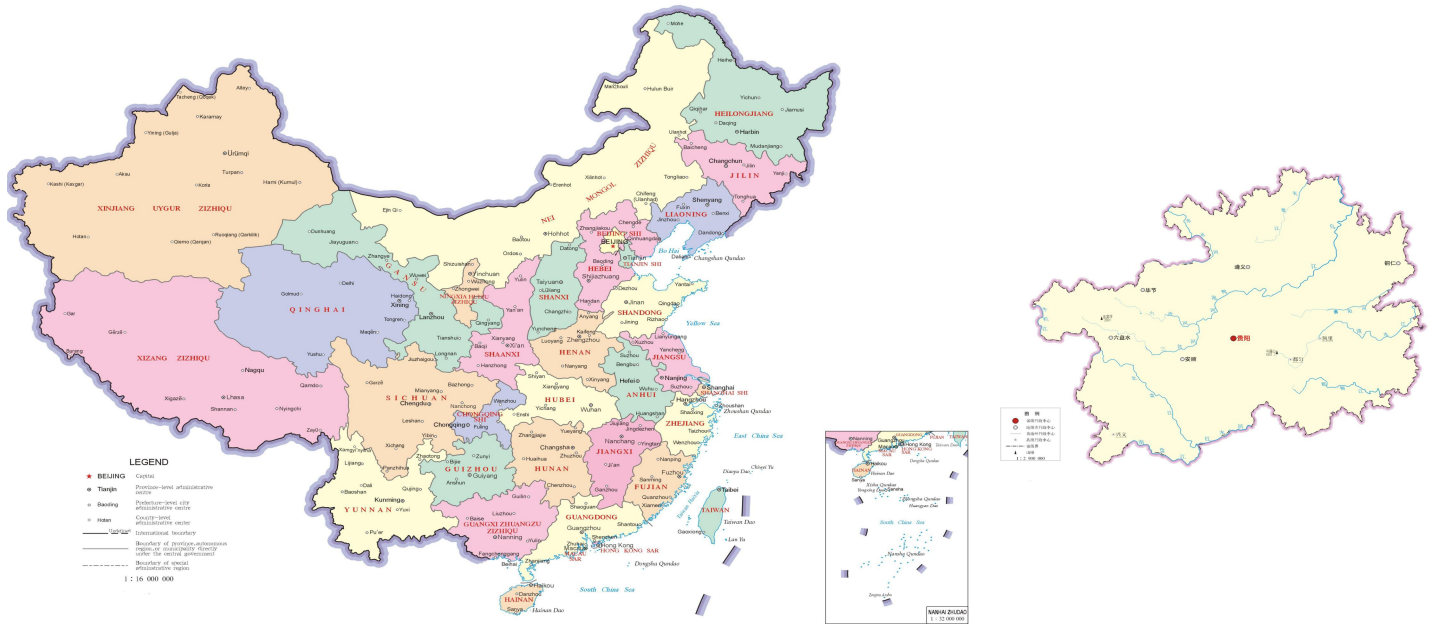
Stainless steel hollow pin conveyor chains (MC series)



Chain No.	Pitch					Roller diameter				Bush diameter	Plate depth
	P					d1 max	d7 max	d5 max	b11	d4 max	h2 max
	mm					mm	mm	mm	mm	mm	mm
MC28SS	63.0	80.0	100.0	125.0	160.0	36.0	25.0	45.0	4.5	17.5	2.5
MC56SS	80.0	100.0	125.0	160.0	200.0	50.0	30.0	60.0	5.0	21.0	35.0
MC112SS	100.0	125.0	160.0	200.0	-	70.0	42.0	85.0	7.0	29.0	50.0
MC224SS	160.0	200.0	-	-	-	100.0	60.0	120.0	10.0	41.0	70.0

Chain No.	Width between inner plates	Pin diameter		Pin length		Plate thickness	Tensile strength
	b1 min	d2 max	d3 min	L max	Lc max	t/T max	Q min
	mm	mm	mm	mm	mm	mm	kN/lbf
MC28SS	20.0	13.0	8.2	36.0	38.5	3.5	28.0/6364
MC56SS	24.0	15.5	10.2	45.0	47.5	4.0	56.0/12727
MC112SS	32.0	22.0	14.3	62.5	64.3	6.0	112.0/25454
MC224SS	43.0	31.0	20.3	83.0	85.5	8.0	224.0/50909

Quality First, Customer Supreme.



GZG TRANSMISSION

贵州志洪远传动机械有限公司

GUIZHOU GZG TRANSMISSION CO., LIMITED

T&F: 0086-854-8190520

Web: <https://www.gzg-transmission.com/>

Alibaba: <https://gzgtransmission.en.alibaba.com/>